

Drum Valve Electric Operated

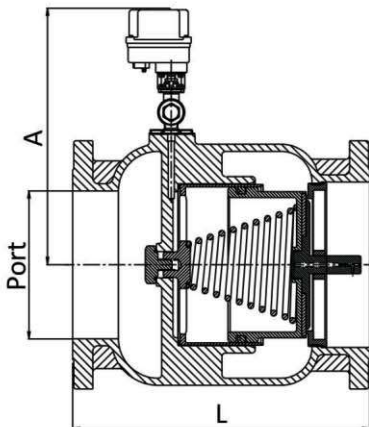
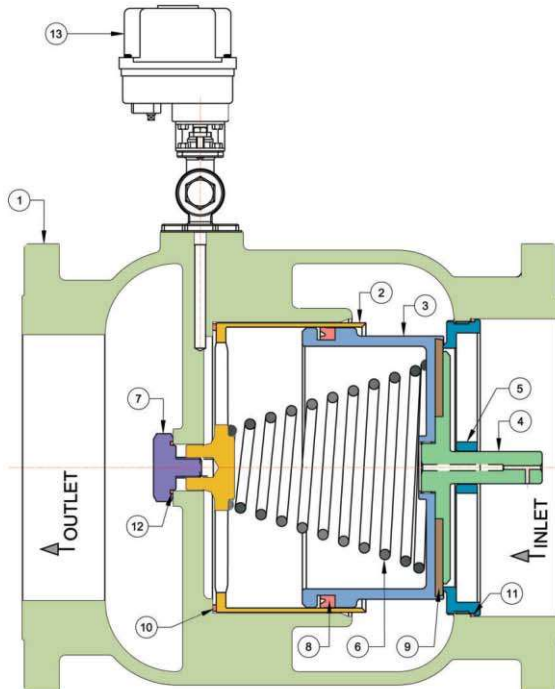
Catalogue No.
APL / 1093

Size Range : 2" to 24" Flanged End

"Suzhik" Multi function Motorized Drum Type Control Valve can be used as isolating valve and also for flow controlling application. Special Design Namur style Ball Valve mounted on main valve, couple with Electrical Actuator for operation. Actuator principle works on simple 220 V AC Supply. Its simple Technique and heavy design impact a unique stands against other Control Valve. High Flow factor and simple pilot Control makes its very user friendly

Features

- Exclusive smart design having motorized function used for Bigger sizes Municipal water Supply Boards & cross country Pipe line Projects.
- High Cv Value, with Low Pressure Hammering via smooth operation in Actuator
- Choice of operating Control available in Electrical Actuator like On Off / Modulating / On-Off with Feedback
- On-Off & Proportionate (Modulating) control having Input Single of 4~20mA available in Electrical Actuator
- Precise Pressure control and repeatability can be achieved for Motorized Proportional Control Application.
- Low Noise & Friction at the time of Controlling. Vertical & Horizontal installation can be done.




Design Registered
No.: 234471



No.	Description	Material
01	Body	C. I. / WCB / CF8 / CF8M
02	Cover	Stainless Steel 304 / 316
03	Plug	Stainless Steel 304 / 316
04	Piston	Stainless Steel 304 / 316
05	Piston Guide	Stainless Steel 304 / 316
06	Spring For Piston	S. S. 304
07	Piston Cover Lock Bolt	S. S.
08	V-Seal For Piston	NBR / Viton / EPDM
09	Piston Seat Ring	NBR / Viton / EPDM
10	Flat Ring	NBR / Viton / EPDM
11	O-Ring For Piston Guide	NBR / Viton / EPDM
12	O-Ring For Piston Lock Bolt	NBR / Viton / EPDM
13	Electric Actuator Operated	Drum Type Electric Actuator Operated Ball Valve

Dimensions :

(All Dimensions are in mm)

Valve Model	Valve Size		Port	A	L	CV	Weight Approx.
	MM	Inch					
DEF - 50	50	2"	59	292.5	190	75	10.080
DEF - 65	65	2.1/2"	69	300	210	105	12.860
DEF - 80	80	3"	84	317.5	225	140	18.480
DEF - 100	100	4"	110	325	250	260	24.240
DEF - 125	125	5"	131	348.5	280	390	50.460
DEF - 150	150	6"	158	365	310	550	50.460
DEF - 200	200	8"	208	409.5	420	1000	93.200
DEF - 250	250	10"	257	442.5	470	1699	125.220
DEF - 300	300	12"	302	476.5	530	2200	197.740
DEF - 350	350	14"	324	520	600	3000	265.800
DEF - 400	400	16"	345	520	604	4000	279.500
DEF - 450	450	18"	472	603	766.2	5300	458.200
DEF - 500	500	20"	472	603	772.7	6100	492.350
DEF - 600	600	24"	590	828	900	9200	-----

Note : Since, constant worldwide advancement in technology, we keep our rights reserved to make changes time to time in Technical specifications and Dimensions without prior notice.

Pub. on: January, 2015 (Rev.-01)